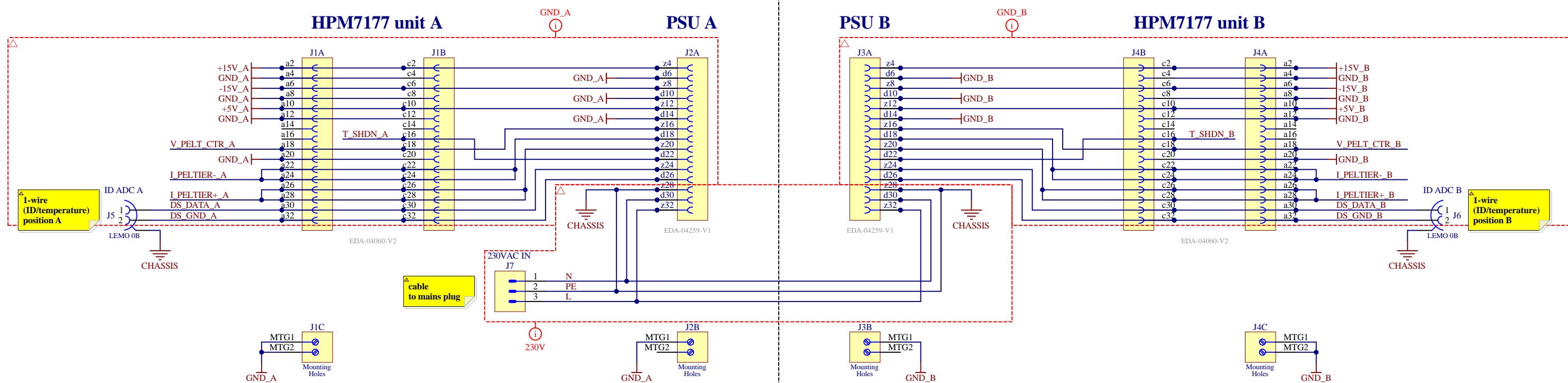


Position A (left)

Position B (right)



GND_A and GND_B are not connected together at the backplane.
Neither GND_A, nor GND_B are connected to the chassis.

Copyright CERN 2020.
This documentation describes Open Hardware and is licensed under the CERN OHL v.2.0.
You may redistribute and modify this documentation under the terms of the CERN OHL v.2.0. (<http://ohw.org/CERN/OHL>). This documentation is distributed WITHOUT ANY EXPRESS OR IMPLIED WARRANTY, INCLUDING OF MERCHANTABILITY, SATISFACTORY QUALITY AND FITNESS FOR A PARTICULAR PURPOSE. Please see the CERN OHL v.2.0 for applicable conditions.

Project/Equipment		HPM7177 Crate	
Document		 HPM7177 Backplane	
Designer	N. Beev	Drawn by	N. Beev
Check by	JMW	15-07-2020	16-07-2020
Last Mod.	-	05/08/2020	-
File	Backplane.SchDoc	Print Date	06/08/2020 13:41:11
Sheet	1 of 1	Size	A3
European Organization for Nuclear Research CH-1211 Genève 23 - Switzerland		EDA-04258-V1-0	